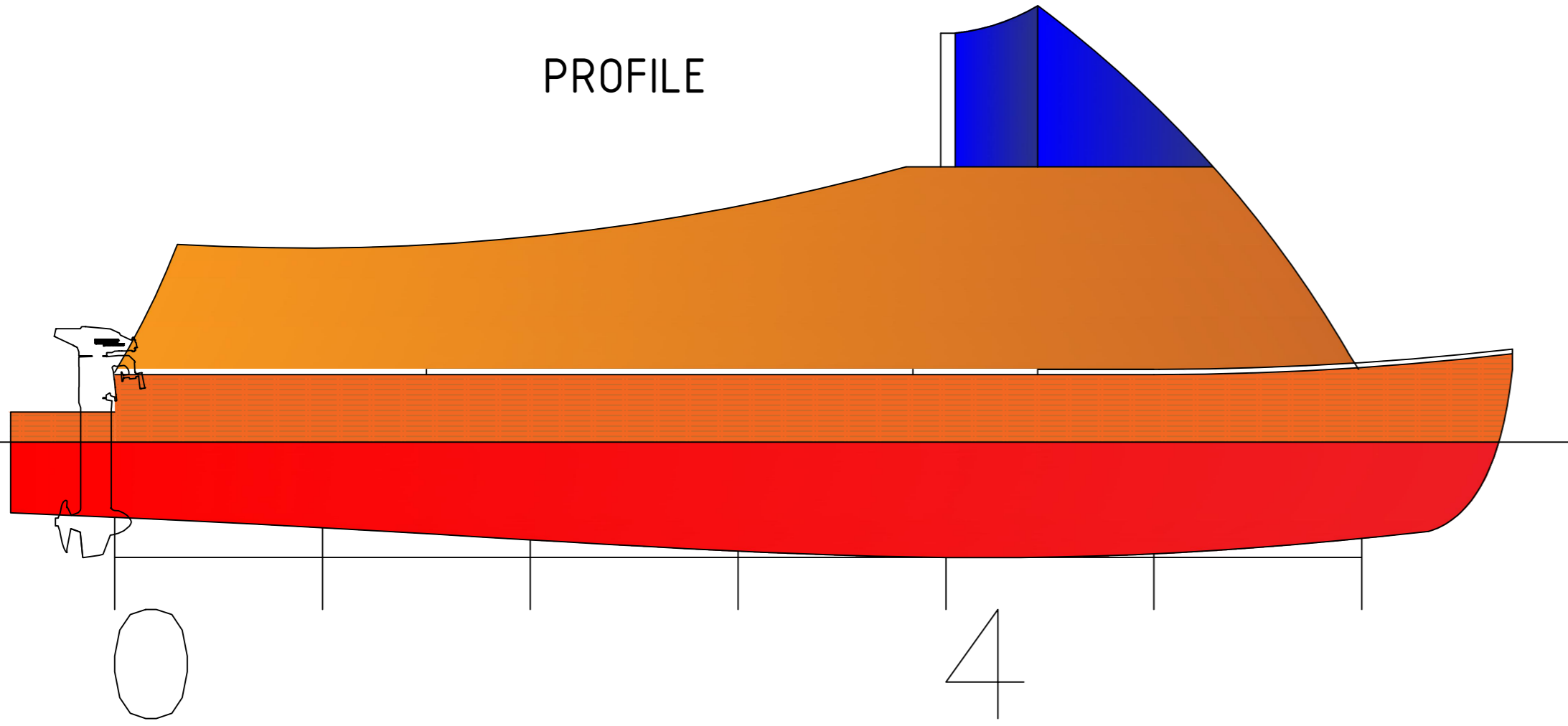
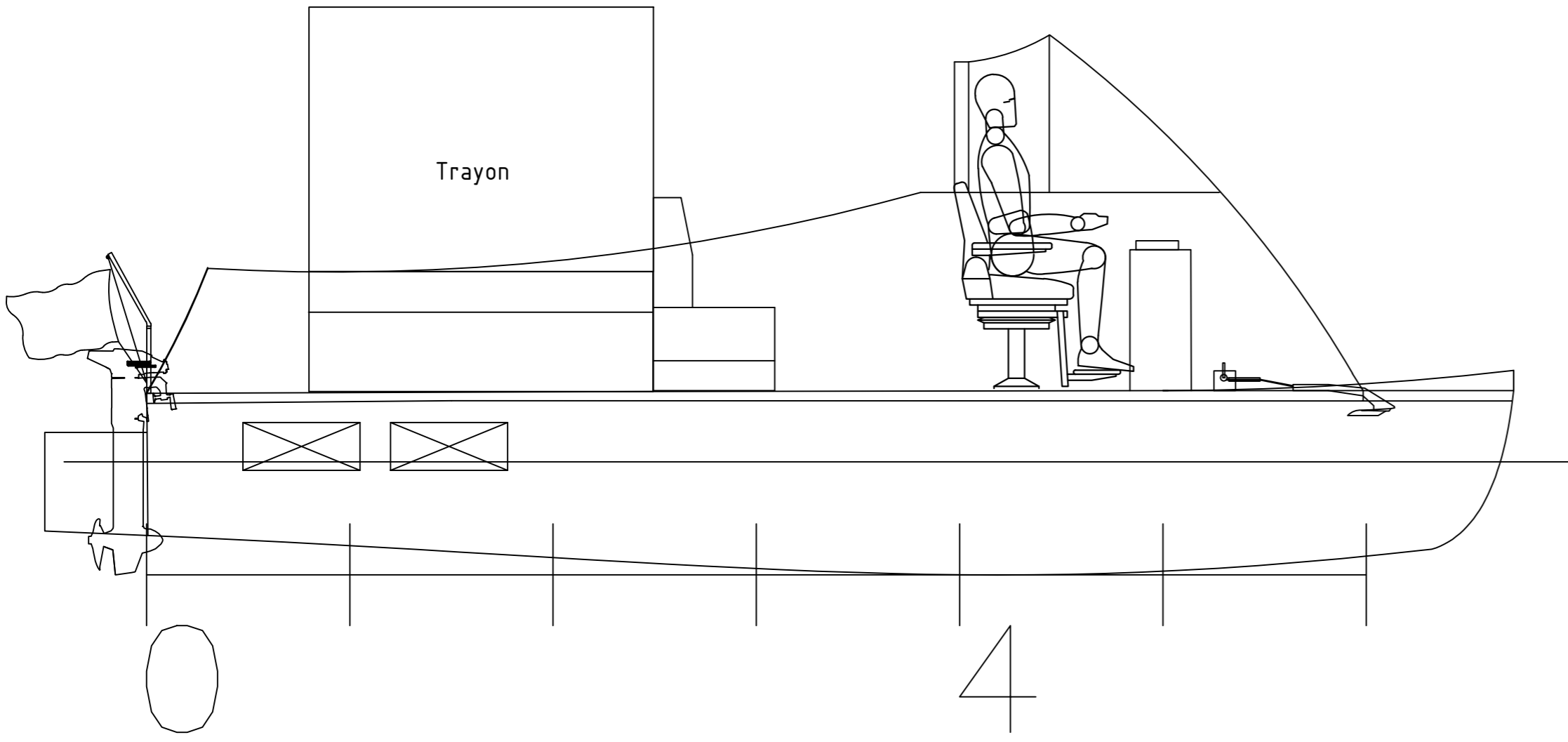


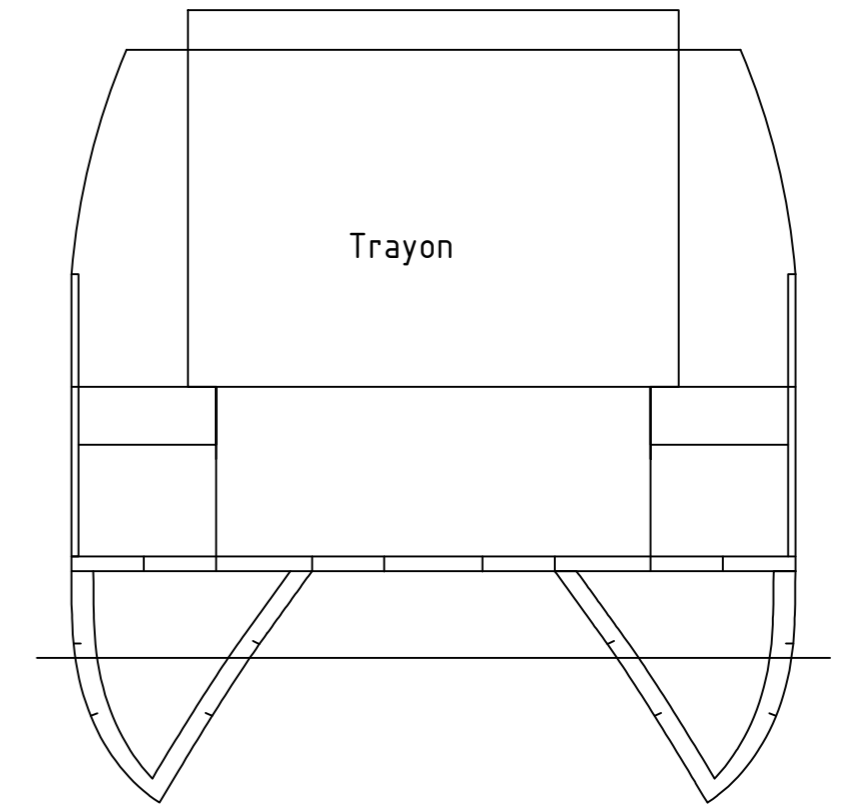
PROFILE



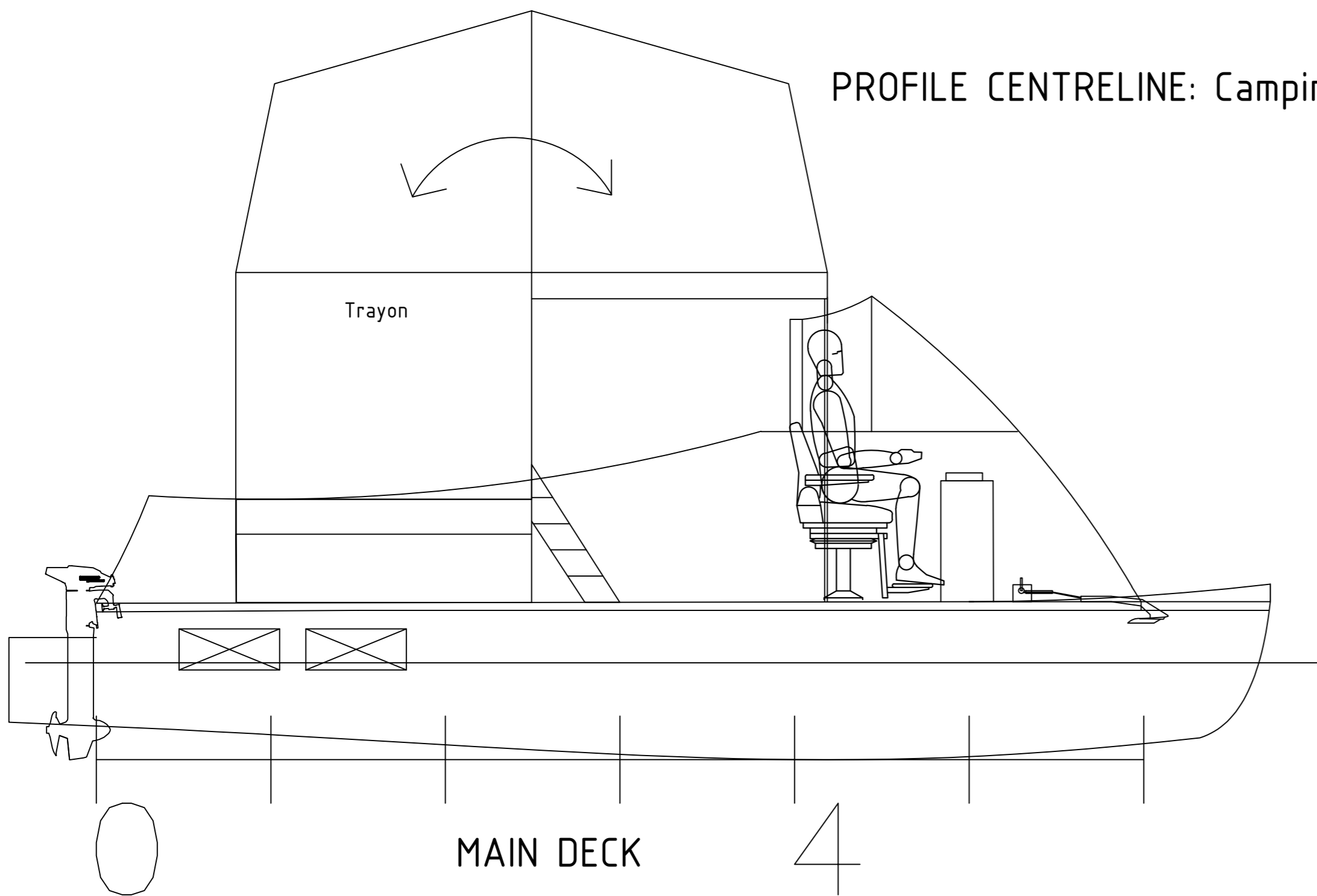
PROFILE CENTRELINE: Cruising



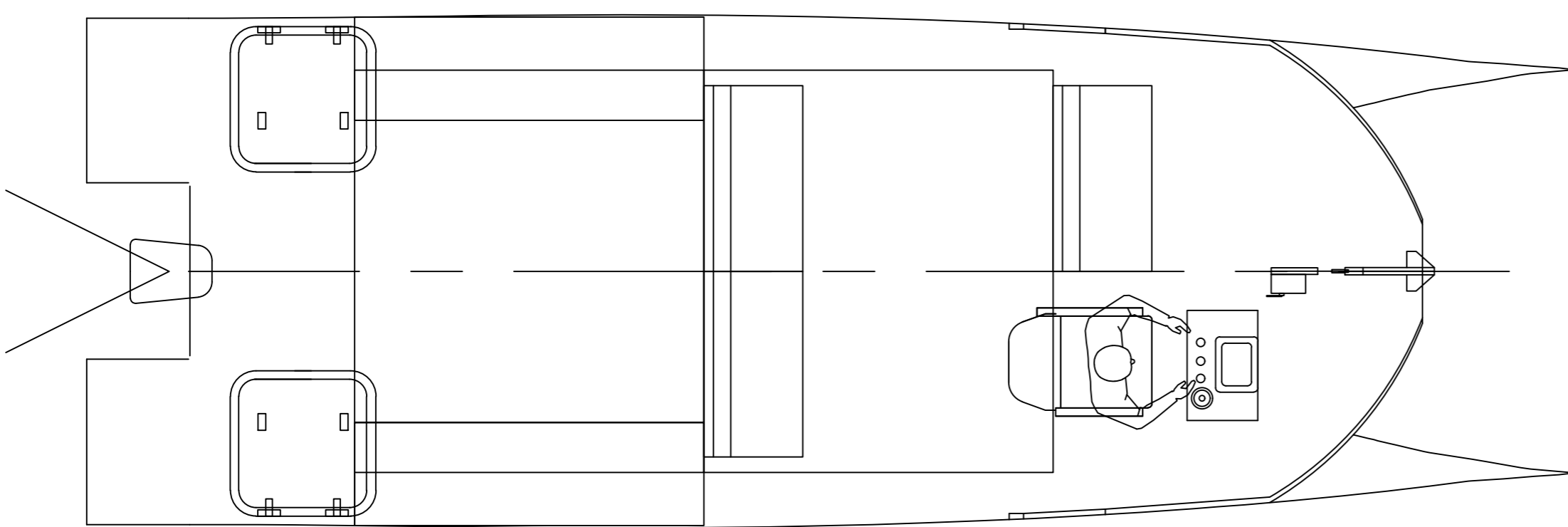
STRUCTURE MIDSHIP FR3



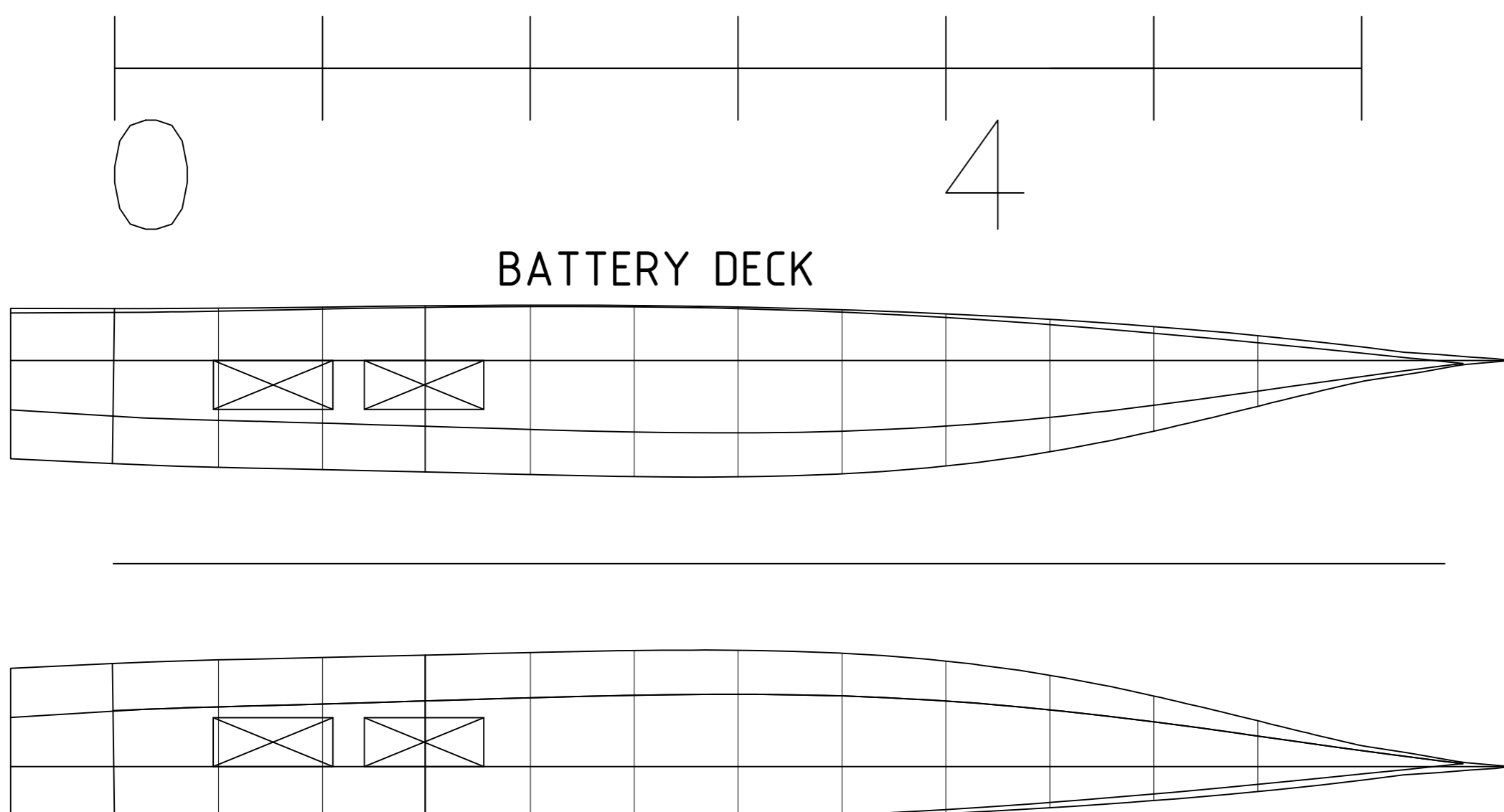
PROFILE CENTRELINE: Camping



MAIN DECK



BATTERY DECK



Principal particulars

- Length 7.0m
- Beam 2,5m
- Draft 0,5m
- Power 10.8 Kwh
- Propulsion Torqeedo Cruise 4R
- Batteries 4 x 26-104(lithium)
- Range 80km@5km/h - 16h

0	20/02/17	In progress	MOC	MOC	FOR INFO.
Rev.	Date	Modifications	Drawn by	Approved by	Status
<small>This drawing is the property of NAVICULUS and can not be used, copied or transmitted in any form without permission from NAVICULUS</small>					
NAVICULUS <i>Marine transport solutions</i>					
NAVCAT CAMPER			Class number: -----		
GA			Scale: 1/25	Page: 1/1	A1
			NAVCAT TAXI 10-1000 0		